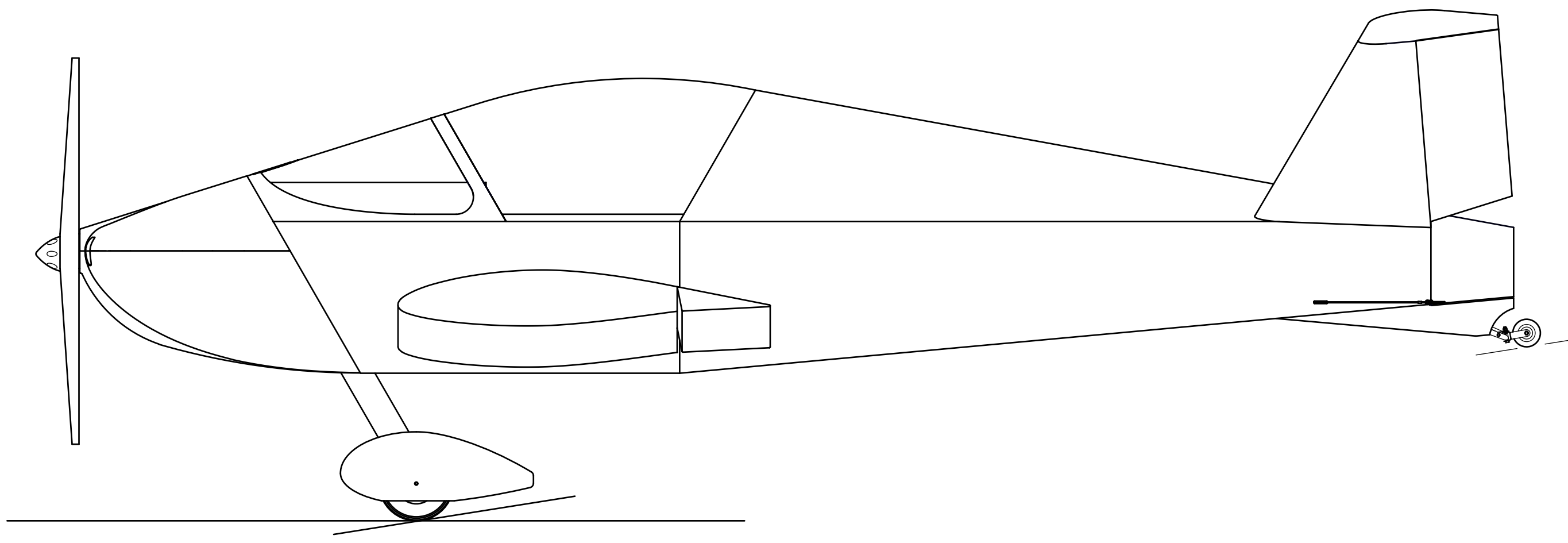
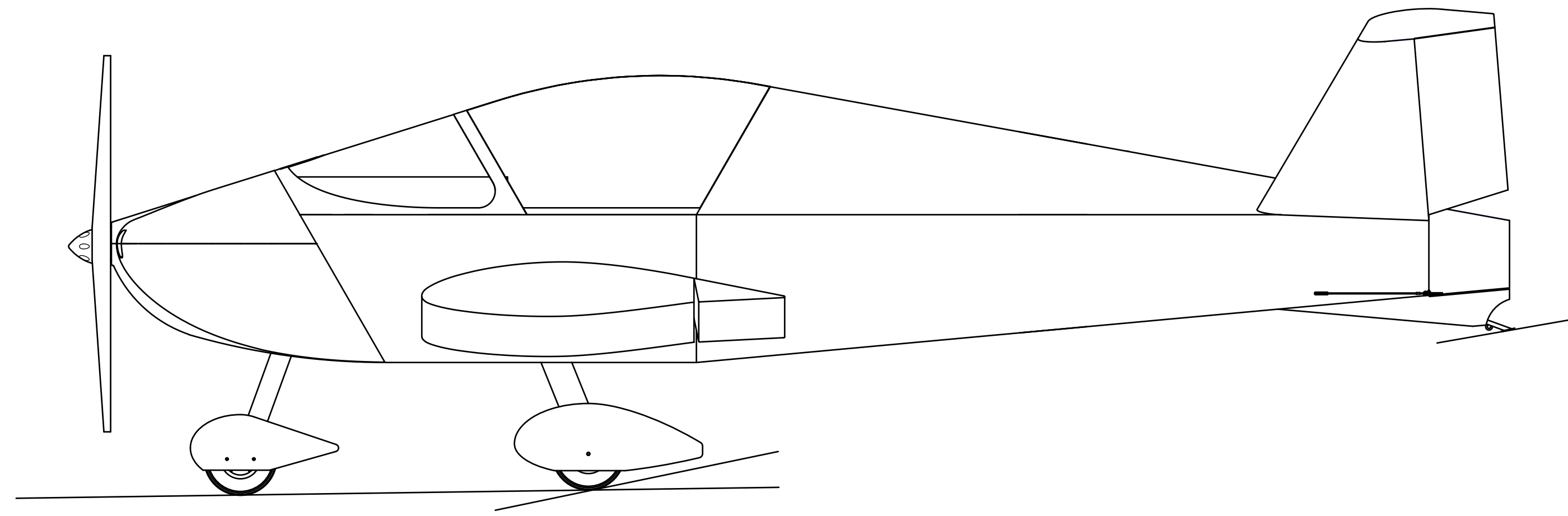
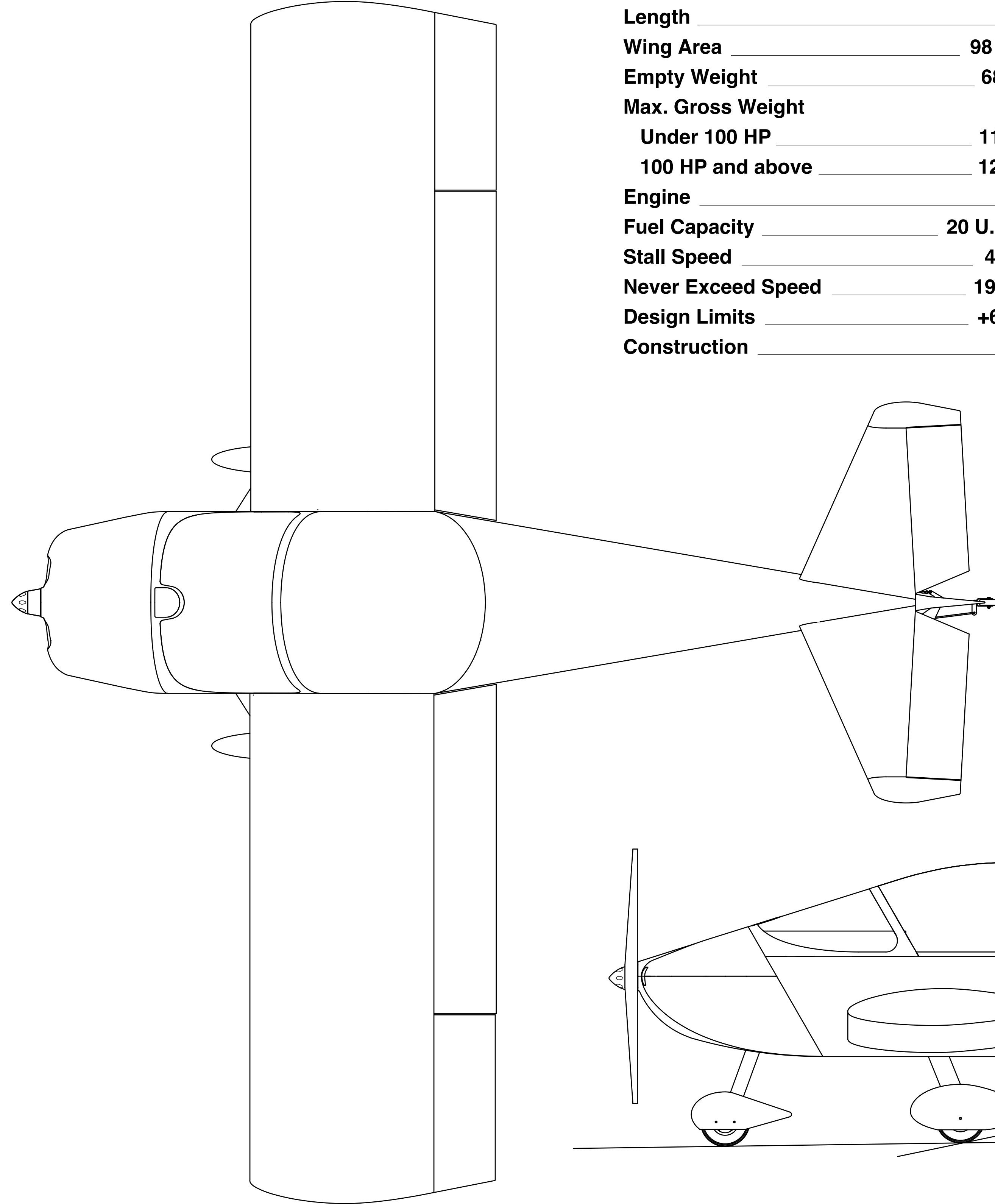
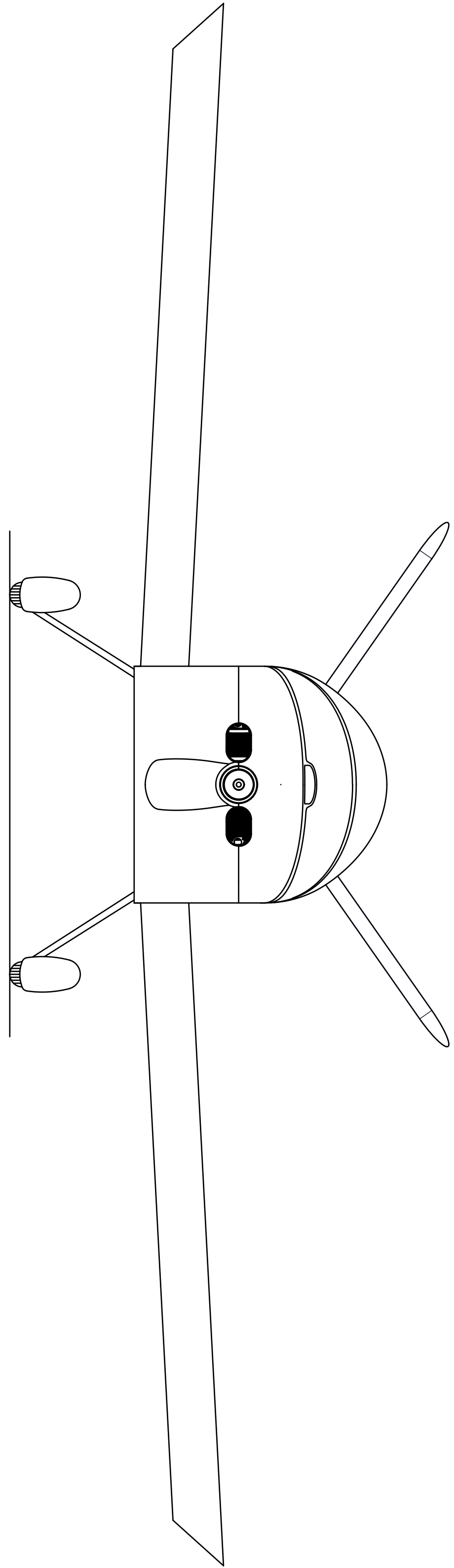


The information disclosed herein is the property of the originator who reserves all patent, design, proprietary, manufacturing, use and sales rights thereto, except for the rights expressly granted to others. This document shall not be reproduced nor shall the information contained within be used by or disclosed to others except as expressly authorized by the originator. ©

Revision Letter	Change Description	
A	Corrected empty weight, gross weight, engine HP, and fuel capacity to B-model standards.	09/26/16
B	Updated Basic Empty Weight from 670 lbs. to 680 lbs. Corrected Stall Speed from 44 mph to 40 mph. Updated to 1220 lbs. Max. Gross Weight for engines 100 HP and above.	10/19/24

Wing Span _____ **22' 0"** _____ **6.705 m**
Length _____ **18' 1"** _____ **5.521 m**
Wing Area _____ **98 sq. ft.** _____ **9.19 sq. m**
Empty Weight _____ **680 lbs*** _____ **308 kg***
Max. Gross Weight _____
 Under 100 HP _____ **1100 lbs** _____ **500 kg**
 100 HP and above _____ **1220 lbs** _____ **553 kg**
Engine _____ **80 - 130 HP**
Fuel Capacity _____ **20 U.S. Gal.** _____ **75.7 Liters**
Stall Speed _____ **40 MPH** _____ **64 km/h**
Never Exceed Speed _____ **197 MPH** _____ **317 km/h**
Design Limits _____ **+6, -3g's @950 lbs. (432 kg)**
Construction _____ **All aluminum riveted**

*Empty weight is approximate. Results will vary based on your configuration choices.



waix-B		
Aircraft 3 View & Specifications		
Drawing Scale 1/16	Drawing Number WXB-B01	Revision B