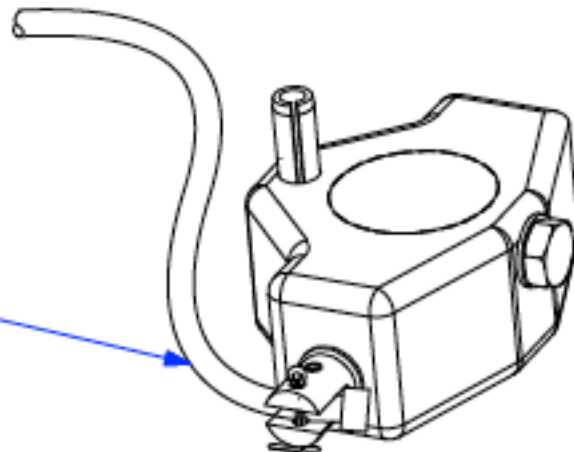


Install JSX-C03-10 Cable into Slot on Item 16 between Items 39 and 41 on both sides of assembly.



Detail B
JSX-C03-10 Steering Cable Installation

Install Bolt. Locate and drill 3/32" diameter hole thru for Cotter Pin.

