

NOTE: SUPPLEMENT REF ONLY  
FOR DETAILED ASSEMBLY INFORMATION,  
SEE SONEX AND/ OR WAIEIX PLANS

SHEET 1 OF 3

**sonex & waieix**  
EXPLODED VIEW  
SUPPLEMENT FOR LEFT WING SPAR

Drawing Scale	Drawing Number	Revision
1:18	SNX-W08-01L	N/C

5

4

3

2

1

ITEM NO.	PART NUMBER	DESCRIPTION	QTY.
1	SNX-W09-01L	LEFT HAND UPPER SPAR CAP	1
2	SNX-W09-02L	LEFT HAND LOWER SPAR CAP	1
3	SNX-W10-01	MAIN SPAR WEB	1
4	SNX-W10-02	MAIN AFT WEB	1
5	SNX-W10-03	MAIN SPAR CENTER WEB	1
6	SNX-W10-04L	LEFT HAND TIP WEB ASSEMBLY	1
7	SNX-W10-05	MAIN SPAR DOUBLER WEB	1
8	SNX-W11-01	LOWER ANGLE	1
9	SNX-W11-02	END WING ATTACH ASSEMBLY	1
10	SNX-W11-06	ROOT WING ATTACH ASSEMBLY	1
11	SNX-W11-08	UPPER STIFFENER ANGLE	1
12	SNX-W11-09	VERTICAL STIFFENER ANGLE	1
13	SNX-W11-10L	LEFT HAND TIE DOWN FITTING	1
14	SNX-W11-11	OUTBOARD STIFFENER ANGLE	1
15	SNX-W20-02	ROOT RIB ATTACH ANGLE	1
16	SNX-W20-03	ROOT RIB ATTACH ANGLE	1

NOTE: SUPPLEMENT REF ONLY  
FOR DETAILED ASSEMBLY INFORMATION,  
SEE SONEX AND/ OR WAIX PLANS

SHEET 2 OF 3

**sonex & waix**

EXPLODED VIEW  
SUPPLEMENT FOR LEFT WING SPAR

Drawing Scale

1:50

Drawing Number

SXN-W08-01L

Revision

N/C

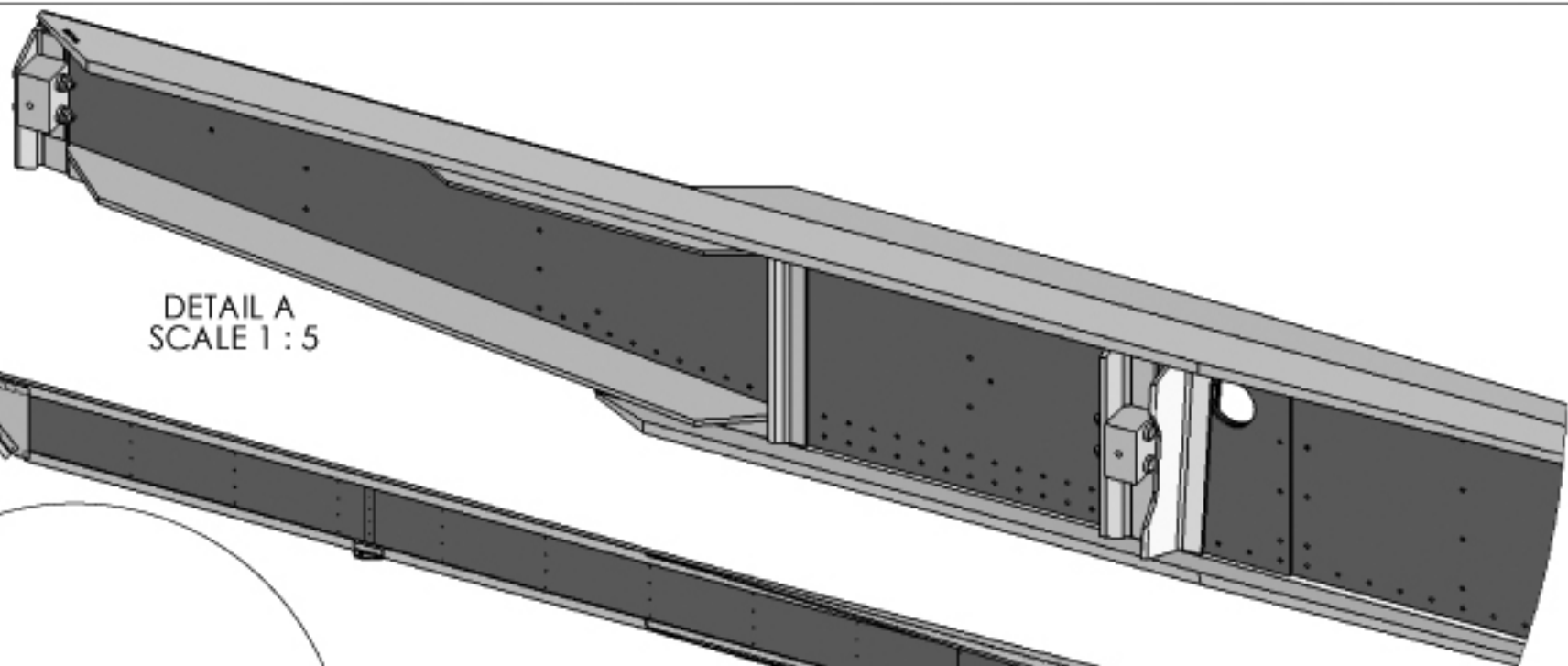
5

4

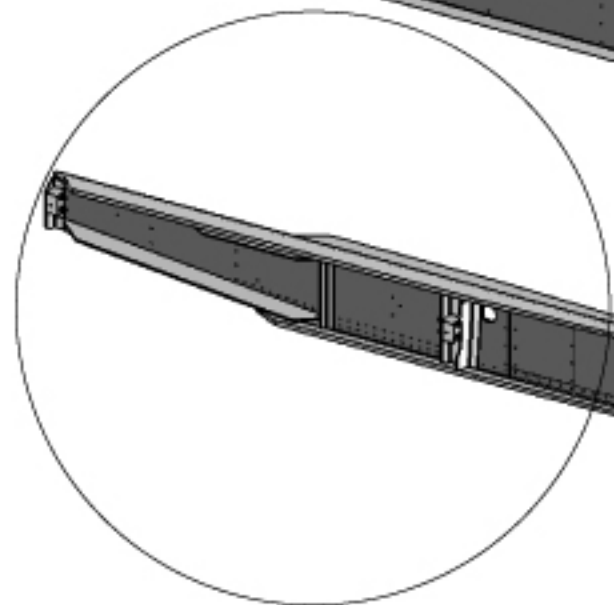
3

2

1



DETAIL A  
SCALE 1:5



A

SHEET 3 OF 3

**sonex & waix**  
EXPLODED VIEW  
SUPPLEMENT FOR LEFT WING SPAR

Drawing Scale	Drawing Number	Revision
1:15	SNX-W08-01L	N/C

NOTE: SUPPLEMENT REF ONLY  
FOR DETAILED ASSEMBLY INFORMATION,  
SEE SONEX AND/ OR WAIX PLANS

5 4 3 2 1